

## **Model RHHP-VT Series Humidified Holding Cabinet & Proofer (With Vapor Touch™ and Gentle Convection Heat)**



---

### **Performance Features**

---

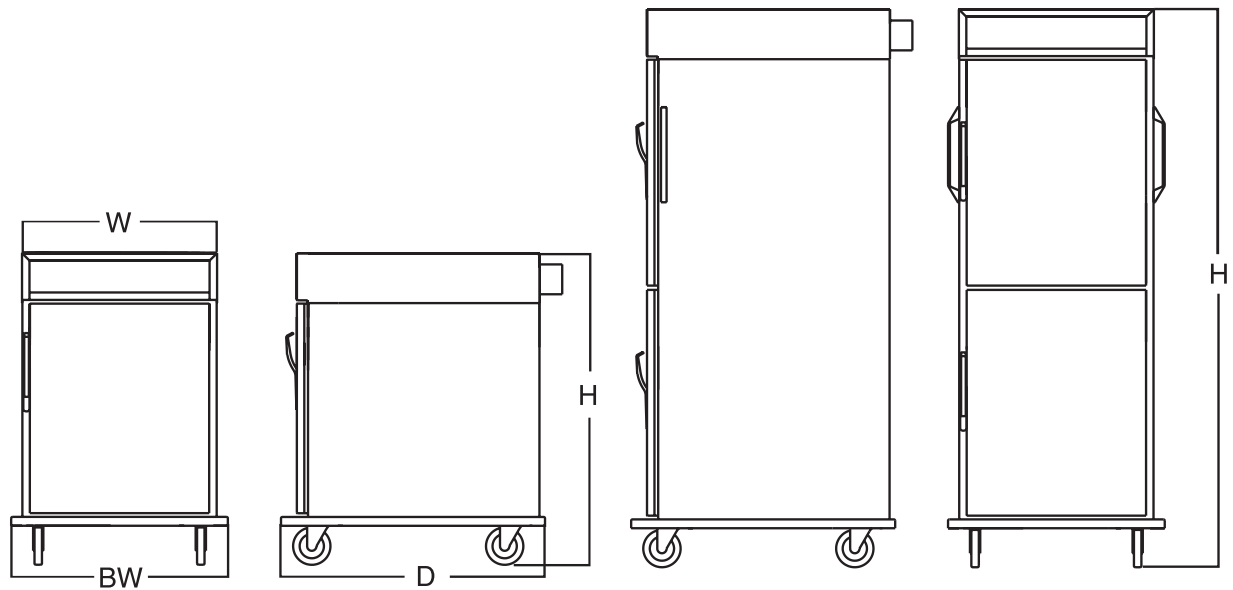
- **Vapor Touch™** produces the right balance of moisture, heat, and air to ensure optimum flavor and hold times for all types of products
- **Whisper Touch™ Gentle Convection** maintains proper holding temperatures no matter the frequency of "in & out" to retrieve product
- Infinitely variable vapor control maintains the ideal environment for products ranging from very crisp to very moist
- Fried foods, bulk, entrees, plated meals, side dishes, pizza, hamburgers, meats, poultry, fish, soups, sauce, finger foods, and baked goods can be held for extended times with that just cooked texture, look, and flavor
- Maintains safe food holding temperatures for extended holding times: allowing for advanced preparation
- Ideally suited for school foodservice, catering and banquet applications
- Holding & Proofing temperature range: 75F – 200F

---

### **Construction Features**

---

- Vapor control infinitely variable from low to high relative humidity
- Two gallon water reservoir
- Patent pending air flow control system
- Self-contained power module for ease of service
- Fully insulated construction
- Type 304 welded stainless steel body
- 12 gauge internal frame for strength
- Field reversible doors
- Latch is magnetic/mechanical style
- Long lasting, high temperature silicone door gasket
- Four heavy duty, 6" swivel casters, two with brakes
- Lift out oven interior for easy cleaning
- Push/pull handles



| Model Number        | Pan Capacity Per Holding Cabinet<br>Pan Spacing Per Holding Cabinet<br>C1US, C2US, C3US, C4US -<br>1 1/2" Adjustable |     |                    |     | Height (H) | Depth (D) | Width (W) | Base Width (BW) | Shipping Wt. (lbs) | Volts | Total Watts Per<br>Holding Compartment | Total Amps Per<br>Holding Compartment | Hertz/Phase | Power Cord Plug<br>(NEMA) |
|---------------------|--|-----|--------------------|-----|------------|-----------|-----------|-----------------|--------------------|-------|--|---------------------------------------|-------------|---------------------------|
|                     | 18x26x1<br>Sheet   |     | 12x20x2 1/2<br>Pan |     |            |           |           |                 |                    |       |  |                                       |             |                           |
|                     | STD<br>*   | MAX | STD<br>*           | MAX |            |           |           |                 |                    |       |  |                                       |             |                           |
| <b>RHHP-VT-C1US</b> | 4  | 11+ | 8                  | 12+ | 35         | 37 1/2    | 26        | 29              | 286                | 120   | 1000                                   | 8.3                                   | 50/60<br>1Ø | 5-15P                     |
| <b>RHHP-VT-C2US</b> | 6  | 15+ | 12                 | 16+ | 42 3/4     |           |           |                 | 334                |       |  |                                       |             |                           |
| <b>RHHP-VT-C3US</b> | 9  | 24+ | 18                 | 24+ | 61 1/2     |           |           |                 | 406                |       | 2000                                   | 16.6                                  |             |                           |
| <b>RHHP-VT-C4US</b> | 12   | 35+ | 24                 | 36+ | 76         |           |           |                 | 465                |       |  |                                       |             |                           |

+ Requires additional pan slides

### Bidding Specifications

Royalton Model # RHHP-VT-C\_\_US, gentle convection humidified holding cabinet, fully insulated, all stainless steel construction with solid-state controls incorporated in the self-contained power module, two gallon water reservoir. Digital temperature readout.

### Options

- Correctional Package
- Casters – Specials and Sizes
- Pass-Through Doors
- Tempered Glass Doors Full View
- Transport Latch
- Legs
- Raised Wire Grid for 18x26 Pan
- Wire Shelf Interior
- Perimeter Bumper
- Cold Pack
- Latch Magnetic/Mechanical w/Key Lock

- \* RHHP-C1US body furnished with 4 sets of adjustable universal pan slides, optional up to 11 sets.
- \* RHHP-C2US body furnished with 6 sets of adjustable universal pan slides, optional up to 15 sets.
- \* RHHP-C3US body furnished with 9 sets of adjustable universal pan slides, optional up to 24 sets.
- \* RHHP-C4US body furnished with 12 sets of adjustable universal pan slides, optional up to 35 sets.