

Model RSH-1800 Series Radiant Heated Transport Cabinet



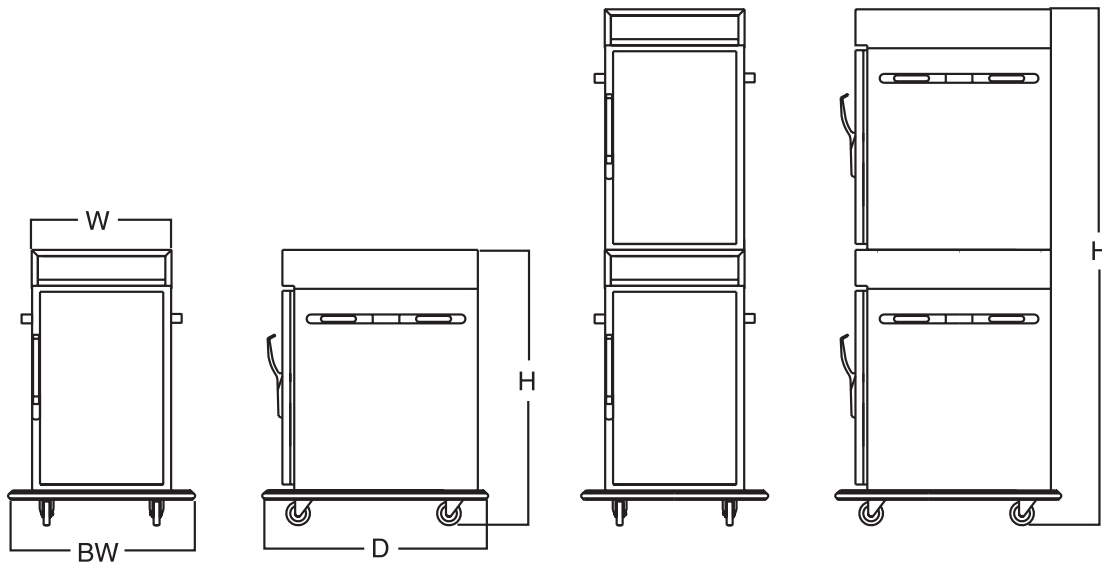
Performance Features


- **Gentle Touch™ Radiant Heat Hold** produces unsurpassed holding times
- Designed for safe and secure transport of product from one location to another
- 24 hour (or longer) holding capability for all types of meats
- Induces optimum enzyme action to naturally tenderize or "age" meats
- Delivers more flavorful, tender, and juicer meats
- Superior holding capability allows for banquet preparation well in advance of serving time
- Maintains just cooked appearance and flavor in excess of reasonable holding times
- Hold temperature range: 75F – 200F

Construction Features

- Self-contained power module for ease of service
- Removable twist lock cord set
- Fully insulated construction
- Type 304 welded stainless steel body
- 18 gauge stainless steel internal frame for strength
- Field reversible doors
- Latch is magnetic/mechanical style with key lock
- Long lasting, high temperature silicone door gasket
- Four heavy duty, 5" swivel casters, two with brakes
- Full perimeter bumper
- Transport latch
- Lift out oven interior for easy cleaning
- Radiant heat source in side walls for superior holding and serviceability





Model Number	Standard Pan Capacity Per Cabinet			Height (H)	Depth (D)	Width (W)	Base Width (BW)	Shipping Wt. (lbs)	Volts	Total Watts Per Cabinet	Amps Per Cabinet	Hertz/Phase	Power Cord Plug (NEMA)
	18x26x1 Sheet	12x20x2½ Pan	13x26x2⅝ Basket										
RSH-1806	6	-	-	30 ⁵ / ₈	33½	22¾	26¾	153	120	1000	8.6	50/60 Single Phase	5-15P 
RSH-1806 Stacked				56 ³ / ₈				306					
RSH-1809	9	-	-	39½									
RSH-1809 Stacked				74 ¹ / ₈				404					
RSH-1809-4100	9	9	-	39½				199					
RSH-1809-4100 Stacked				74 ¹ / ₈				398					

Bidding Specifications

Royalton Model # RSH-18__ (4100) (Stacked), gentle radiant heated transport cabinet, fully insulated, all stainless steel construction with in-wall radiant heating and solid-state controls incorporated in the self-contained power module. Digital temperature readout.

Options

- Correctional Package
- Casters – Specials and Sizes
- Push-Pull Handles
- Shelving – Wire Rack

Accessories

- Cold Pack
- Wire Rack
- Stacking Kit
- Universal Slides